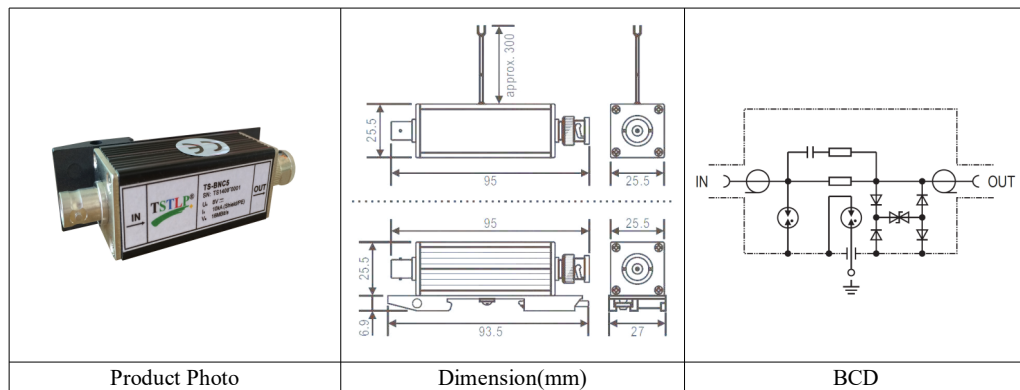




■ TSTLP®/TS-BNC5 Surge Arrester for Coaxial Cable

❖ **INTRODUCTION:** TS-BNC5 protects coaxial cable transmission devices from interruption caused by surge current; Designed according to IEC 61643-21; GB 18802.21; YD/T 1542 . Mainly **used for** coaxial cable transmission devices, surveillance video signal transmission and so on.



❖ TECHNICAL DATA

Model		TS-BNC5	TS-BNC8
Nominal voltage	Un	5V-	8V/+1.5v
Rated voltage (max. continuous voltage)	Uc	8V-	-10V/+2.1V
Lightning Impulse Current (10/350)	Iimp	0.5KA	0.5KA
Nominal discharge current (8/20)	In	2.5kA(line-shield) 5kA(shield-PG)	2.5kA(line-shield) 5kA(shield-PG)
Max. discharge current (8/20)	Imax	5kA(line-shield) 10kA(shield-PG)	5kA(line-shield) 10kA(shield-PG)
Voltage protection level at In	Up	≤25V(line-shield)	≤35V(line-shield)
Voltage protection level at 1kV/μs	Up	≤15V(line-shield) ≤600V(line/shield-PG)	≤15V(line-shield) ≤600V(line/shield-PG)
Response time	tA	≤1ns (line- shield) ≤100ns (shield-PG)	≤1ns (line- shield) ≤100ns (shield-PG)
Bandwidth	fG	300MHz	300MHz
Series impedance per line	R	10Ω	1Ω
Max. data transmission rates	Vs	16Mbits/s	10Mbits/s
Operating temperature range		-40°C ~ +80°C	
Relative humidity		≤ 95% (25°C)	
Connection (input / output)		BNC(socket/plug)	
Mounting on		35mm DIN rail	
Earthing via		Earthing screw	
Shield earthing		Indirectly via integrated spark gap	
Standards		IEC 61643-21; GB 18802.21; YD/T 1542	
Compliance		CE(LVD,EMC)	

❖ MAIN CHARACTER

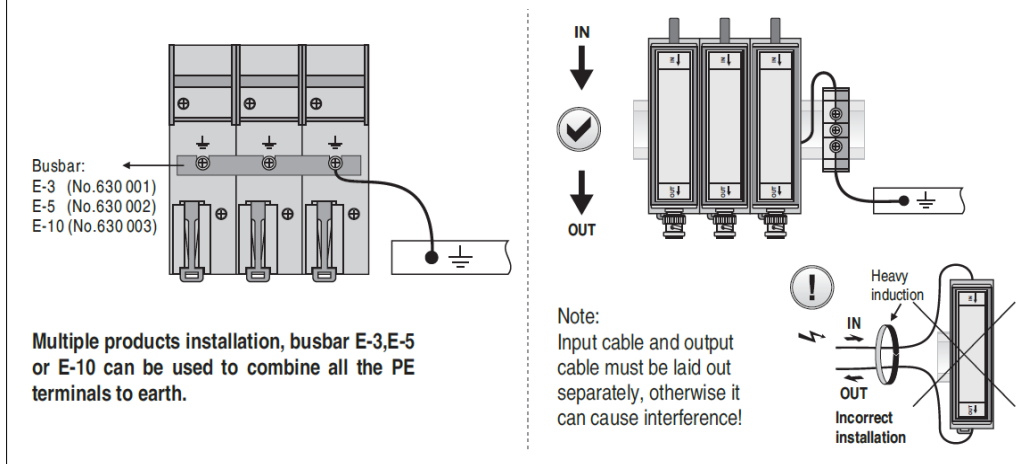
- ✓ Good discharge capacity, low voltage protection level
- ✓ Quick response minimize interruption
- ✓ BNC connection, easy for installation
- ✓ Core components are from internationally well known supplier

INSTALLATION INSTRUCTION

1. This product is connected in series to the protected device.
2. Mount the SPD on 35 mm DIN rail.
3. The out terminal should be connected to the protected devices.
4. SPD's earthing terminal must be connected to nearby earthing Busbar or the metal earthing enclosure of protected device.

Regularly inspect the operating status, especially after lightning, once the communication is off, electrician should check/replace the SPD.

TS-BNC5 INSTALLATION DIAGRAM



WARNING:

- The device must be installed by electrically skilled person, conforming to national standards and safety regulations.
- It is recommended that installation should be done under power off condition.